

SOFT STORAGE

Flexible and Durable Storage and Accessories that You Can Trust

Here is a list of specific features included in individual RIDGID® storage and holders.



All the Products from the RIDGID® Soft Sided Storage Collection have been designed and produced in Europe.



Riveted – for truly unbreakable strength. All places which are open to extra damage are reinforced with one-piece self-punching rivets with capped design.

600

600 denier polyester material. This fabric is the most widely used fabric in the world. Proven for durability, it's lightweight, puncture and tear resistant. This material is used in many products in the offering.



Side gate hammer holder lets you easily put the tool in without looking at the holder which allows for convenient hammer entry/removal.

1680

1680 denier polyester fabric. This Heavy-Duty version of 600 D material features high-density yarns and weaves that stand-up to daily jobsite pounding.



Measuring tape clip holds any common builder's tape measure from 3 - 10 meters. Made from Stainless Steel. The most convenient solution for carrying measuring tapes.



Suede leather offers tremendous performance. Suede on both sides, this leather is used for flexibility and comfort. Sturdy enough for the job site, yet practical enough for any job.



Chain hook 13,5 cm long provides easy access to electrician's tapes or solder. Designed to carry one or more rolls.



High Grade Leather is smooth on one side and brushed suede on the other. Strong and tough for long life, but soft and supple for comfort. Excellent strength with added abrasion resistance. This material is selected for use in products requiring thick leather for special tool slots. A heavy gauge leather with a thickness of 2,2 to 2,5 mm is used to ensure maximum durability.



Easy to open polypropylene quick release buckles. Designed to prevent unintentional release. Curved profile for better fit. Smoother latching design. Can be found on products that require quick release and easy adjustment.



Breathable material with small holes to give a maximum air circulation. Used on belts or other products touching users the users' skin. Especially helpful when carrying heavy tools or when a lot of movement occurs.



Carry handles provide easy carrying without putting it on a belt or shoulder. The RIDGID® collection provides a few different carry handles designed of rubber and plastic.



Adjustable shoulder straps designed for easy lifting. A moveable shoulder pad for maximum comfort. Quick release clasps for removal of shoulder strap when not in use.

SS

Parts made from stainless steel does not stain, corrode or rust as easily as ordinary steel. The surface finish is an essential part of the look and functionality of a stainless steel structure. Used in our products gives not only long years guarantee against damage and rust.



Designed for easy opening/closing of zippered pouches. Provides extra gripping area and high visibility.



Pouch for storing user manuals. Provides fast and easy access to the manuals when and where you need them.

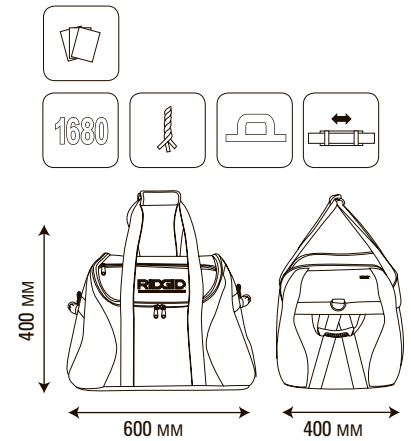


Designed for quick attachment/release.

SOFT STORAGE

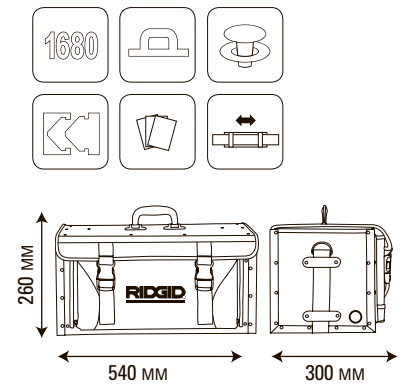
Multi Purpose Storage Bag (35728)

- Designed specifically for use with RIDGID® Locating Equipment, microDrain™ or microReel™.
- Adjustable shoulder belt makes lifting easy.
- Large zippered opening for easy access.
- Internal divider to separate equipment.
- Internal pouches for smaller accessories.



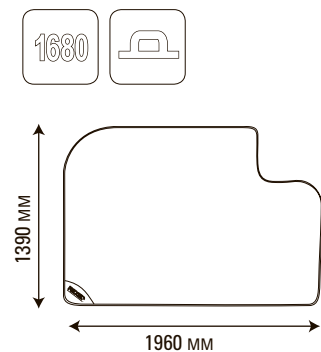
Drain Gun Tool Case (35738)

- Designed for use with RIDGID® Drain Guns and Hand Spinners.
- Water resistant plastic lining with vented air holes for quick drying.
- Metal frame reinforcement for strength and durability.
- Polypropylene straps with quick release buckles provide additional reinforcement.
- Adjustable shoulder belt makes lifting easy.



Protective Mat (35808)

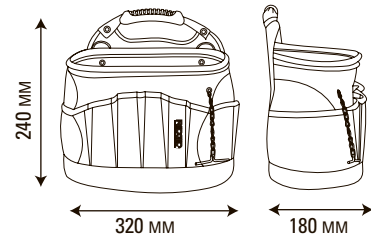
- Ideal for drain cleaning applications.
- Perfect for protecting finished work spaces with dimensions up to 1960 mm x 1390 mm.
- Water resistant/non-slip material for easy cleaning.
- Carry handles allow you to easily remove debris from the work area.



SOFT STORAGE

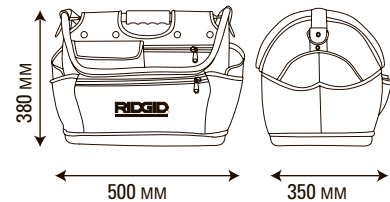
Electrician's Tote (35763)

- Wide opening and deep pocket for storing many items.
- Special pouch mouth wire keeps the unique shape.
- Measuring tape clip holds any common builder's measuring tape from 3 - 10 meters.
- Chain hook for electrical tape.
- Open design for quick and easy tool recognition.
- Formed bottom provides durability and maximum tool protection.
- Adjustable shoulder strap makes lifting easy.



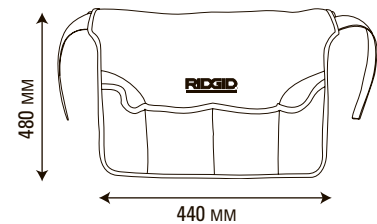
Open Top Tool Tote (35718)

- Heavy duty steel frame.
- Open design for quick and easy tool recognition.
- Deep pockets for secure storage.
- Formed bottom provides durability and maximum tool protection.
- Internal pockets organize tools inside the case.



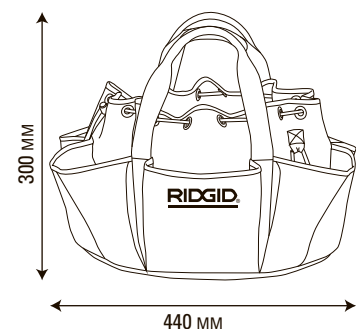
Bucket Tote (35733)

- Quickly turns a standard bucket into a useful tool tote.
- Universal size to accommodate most buckets.
- Multiple pockets allow for plenty of storage options.
- Two adjustable straps secure it to the bucket.
- Bucket not included.



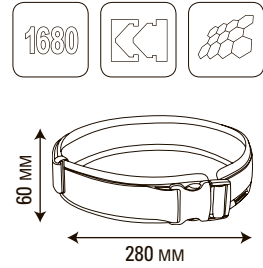
Fittings Bag (37918)

- Made of strong 1680D polyester.
- Pockets make this bag extremely versatile, to hold various tools.
- With an open design, the tote allows quick and easy access to content.
- The drawstring closes and opens the bag easily.
- Polyester handle makes it easier to carry.



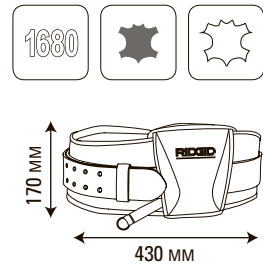
Quick Release Tool Belt (35798)

- Perfect foundation for building your customized tool belt.
- Designed to work with all RIDGID® Tool pouches or holders.
- Polyethylene internal core designed to keep a vertical shape of the belt.
- Made of 5 layers of materials to provide optimum quality, durability and comfort of the belt.
- Padded 3D mesh lining provide maximum airflow for extra comfort when carrying heavy tools.
- Strong quick release buckle.



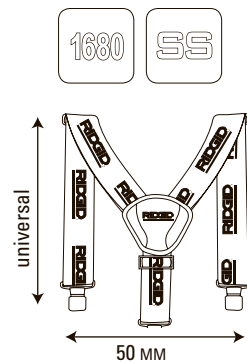
Heavy Duty Adjustable Tool Belt (35768)

- Provides excellent lower back support.
- The ultimate tool retention system is made from a combination of tough nylon, soft mesh material and riveted reinforcement.
- Perfect foundation for building your customized tool belt.
- Easy size adjustment.
- Designed to work with all RIDGID® Tool pouches or holders.
- Padded 3D mesh breathable material and integrated leather belt.



Heavy Duty Suspenders (35813)

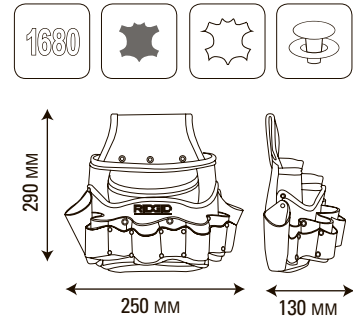
- Designed to transfer weight from waist to shoulders.
- Heavy duty steel fastening clips.
- Made of strong and durable 50 mm width elastic rubber.
- Soft, fully cushioned back pad increases comfort ability.
- One size fits all.



SOFT STORAGE

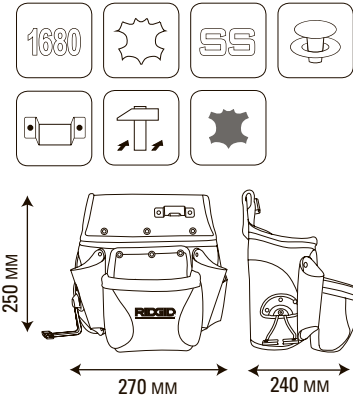
Plumber's Tool Pouch (35743)

- Wide opening and deep pocket for storing many items.
- Tool slots made of genuine leather.
- The pouch sits comfortably on any RIDGID® Tool Belt.
- Open design for quick and easy tool recognition.
- Durable construction with riveted reinforcement.



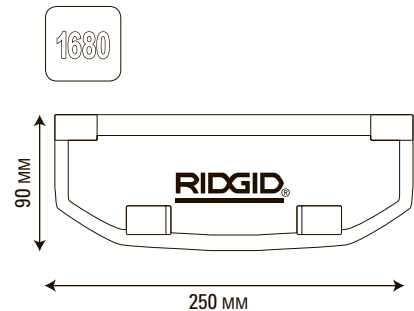
General Purpose Tool Pouch (35778)

- Wide opening and deep pocket for storing many items.
- The pouch sits comfortably on any RIDGID® Tool Belt.
- Pouch has been designed to stay vertical to prevent spillage.
- Measuring tape clip holds any common builder's measuring tape from 3 - 10 meters.
- Knife and tool slots made of genuine leather.
- Side-Gate stainless steel hammer holder swings to keep it at a comfortable angle.



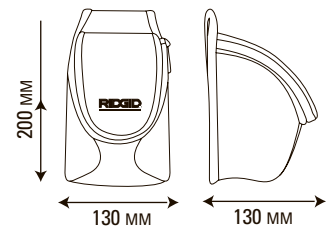
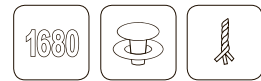
Sun-Shield for micro CA-100 / CA-300 (38868)

- Made of strong 1680D polyester.
- High quality VELCRO.
- Provides greater display visibility and brightness.
- Simple design, very soft and flexible holder.
- It won't melt when exposed to hot sun, and can be easily removed when you're ready, leaving little or no residue.



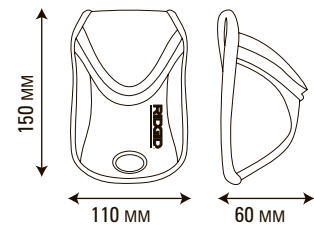
Thermal Battery Pouch (35788)

- Insulated to protect battery from extreme temperatures.
- Easily accommodates all RIDGID® 18 V Li batteries.
- Large zippered opening for easy access.
- The pouch sits comfortably on any RIDGID® Tool Belt.
- Made of strong 1680 danier polyester with polyethylene backing.



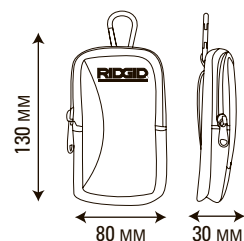
Measuring Tape Holder (35803)

- Easily accepts most common measuring tapes.
- Formed pocket allows for easy removal of measuring tape.
- Can be used on any RIDGID® Tool Belt.
- Hole in the bottom makes it easy to remove the measuring tape.



Vertical PDA Pouch (35758)

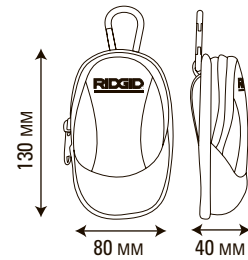
- Soft protective lining.
- The holder sits comfortably on any RIDGID® Tool Belt.
- Fits most PDAs, cameras and larger mobile phones.
- Large zippered opening for easy access.
- Belt holder and carabiner for quick attachment/release.



SOFT STORAGE

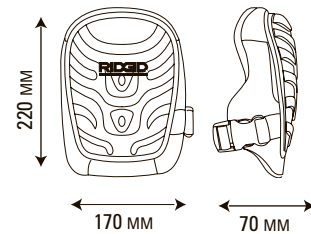
Vertical Phone Pouch (35753)

- Soft protective lining.
- The holder sits comfortably on any RIDGID® Tool Belt.
- Fits most mobile phones.
- Large zippered opening for easy access.
- Belt holder and carabiner for quick attachment/release.



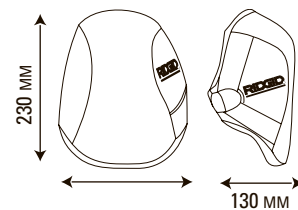
Heavy Duty Gel Knee Pads (35823)

- Heavy duty RIDGID® Gel Knee Pads are designed for maximum protection.
- Durable Plastic covered front for long-lasting use.
- Special "U" channel construction with 100% gel insert comfort zone provides better stability of the kneecap while relieving pressure.
- Breathable 3D mesh lining provides maximum airflow for all day wear.
- Adjustable straps with quick release buckle.
- One size fits all.



Light Duty Knee Pads (35818)

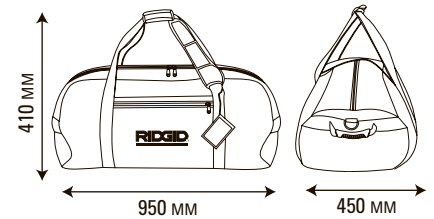
- Flexible light-weight knee pads.
- Breathable 3D mesh lining provides maximum airflow for all day wearing.
- Excellent for most applications, including laying carpet and tiles.
- Adjustable elastic straps.
- One size fits all.



SOFT STORAGE

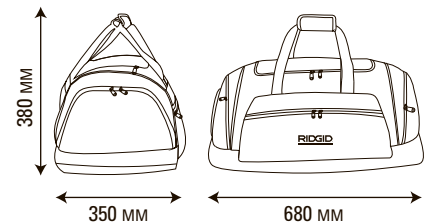
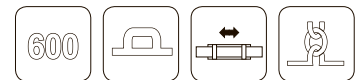
Extra Large Duffle Bag (35748)

- 101 cubic cm of storage space.
- Adjustable heavy duty shoulder straps.
- Attached name card holder.
- Large zippered opening for easy access.



Sports Bag (41023)

- Made of strong, modern Ripstop polyester.
- Adjustable heavy-duty shoulder belt makes lifting easier.
- Shoulder pad makes carrying the bag more comfortable when it is full.
- Useful pockets on the front and sides for easy access to small items.
- Wide opening top-flap provides easy access to the main compartment.
- Inside pocket for sports footwear keeps the rest of the content clean.
- Rubber feet provide extra stability, protecting the bag from getting dirty.



Laptop Bag (36183)

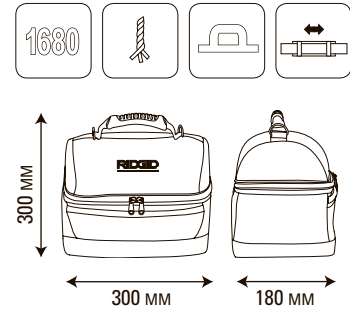
- Padded laptop compartment.
- Large zippered opening for easy access.
- Adjustable shoulder belt makes lifting easy.
- Quick release buckles.
- Slot for rolling luggage handle pass through.



SOFT STORAGE

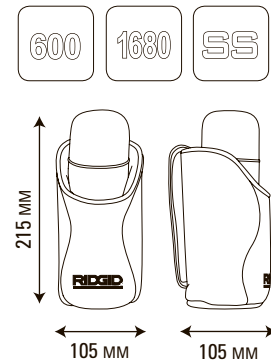
Thermal Lunch Tote (35783)

- Insulated lining keeps food and drinks hot or cold for hours.
- Mesh pocket on the front for additional storage.
- Large zippered opening for easy access.
- Easy to clean lining.



SS Thermal Flask with Belt Holder (35793)

- Thermal flask for keeping drinks hot or cold for hours.
- Laser engraved RIDGID® logo.
- Cap may be used as a cup.
- Easy to clean.
- The holder sits comfortably on any RIDGID® Tool Belt.
- The design and shape of the holder makes sure the flask is kept upright.
- Made of strong 1680 danier polyester with polyethylene backing.



SS Insulated Mug with Belt Holder (35773)

- Insulated mug for keeping drinks hot or cold.
- Screw top for extra security.
- Laser engraved RIDGID® logo.
- Easy to clean.
- The holder sits comfortably on any RIDGID® Tool Belt.
- Made of strong 1680 danier polyester.

